

## PRODUCT DETAILS

Lichelle, designed by l'ombre exclusive lighting, is characterised by its sophisticated design ingenuity. As a versatile lighting fixture, Lichelle can shine in a wide variety of applications.

The lighting fixture has a frame in brass and is available in three finishes, finely knurled, lightly striped or timelessly plain. Brass ensures the high longevity of the unique lighting fixture.

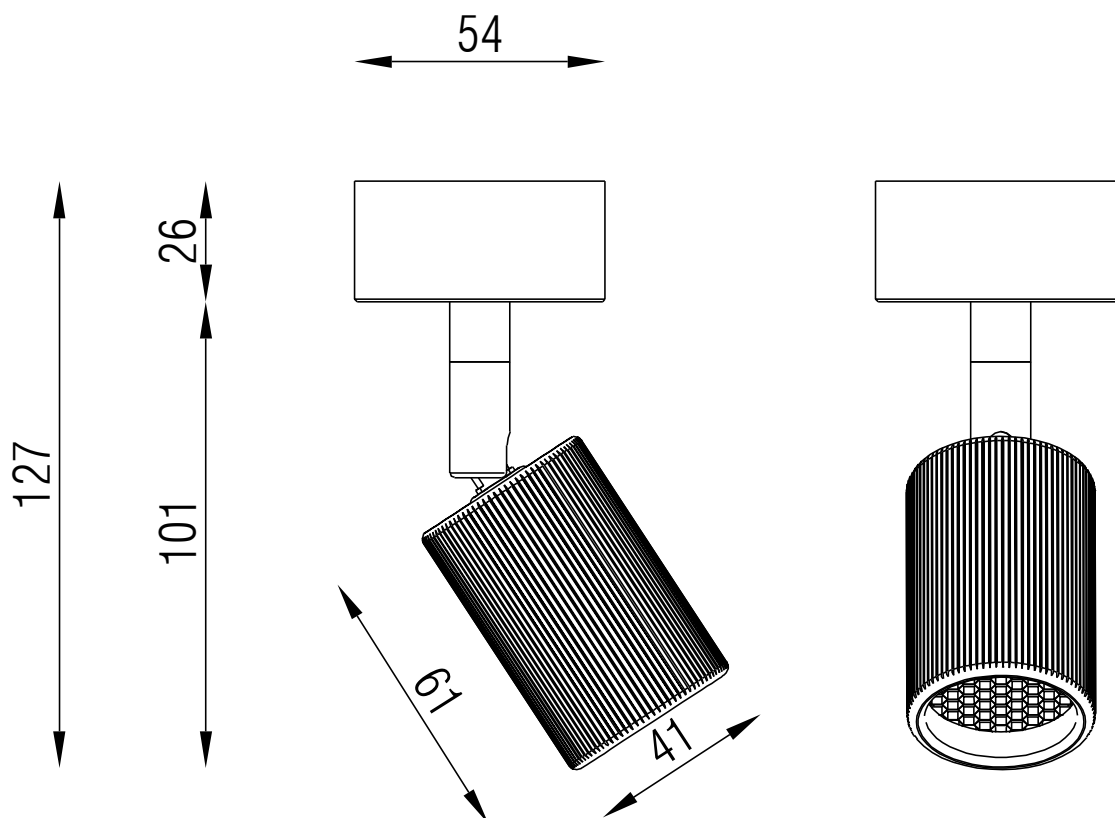
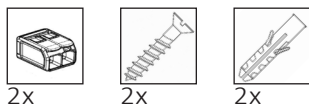
The handmade Lichelle is finished in dark bronze. This elegant finish not only exudes craftsmanship but also creates a unique atmosphere in any project. As a basic light source, Lichelle perfectly matches all other lighting fixtures in the l'ombre family.

## SPECIFICATIONS



PRODUCT CODE	LENGTH	WIDTH	HEIGHT	WEIGHT	MATERIAL	FINISH
LICHELLE-L-EX-PRO-SUR-5426-DB	54mm	54mm	127mm	0.745 kg	Brass	Dark bronze

## INSIDE THE BOX: WHAT'S INCLUDED



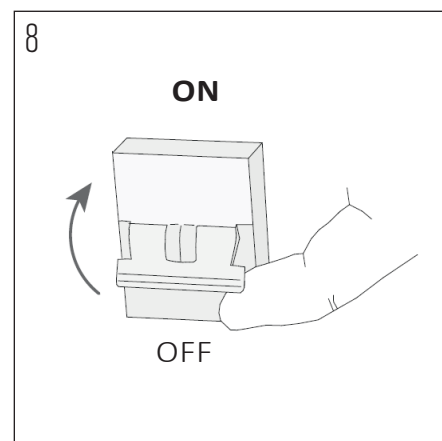
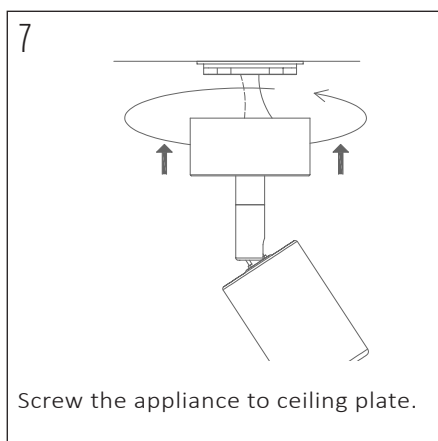
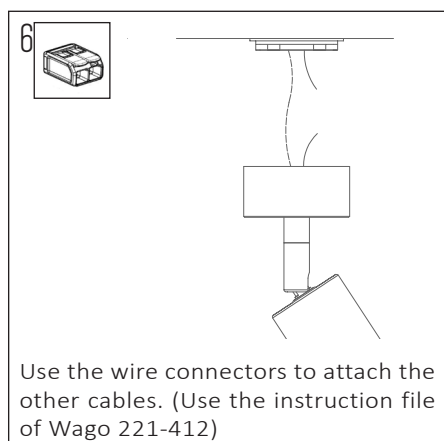
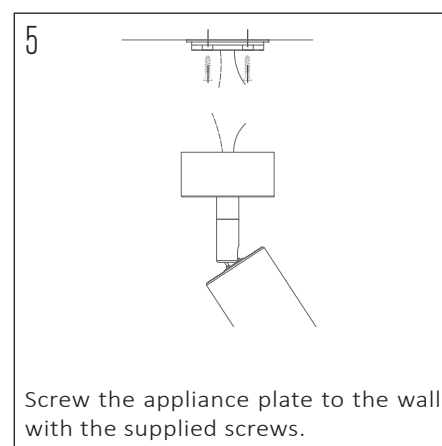
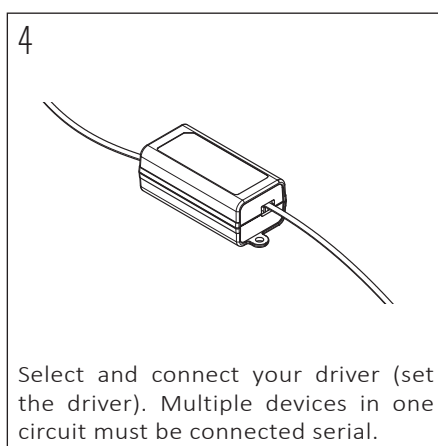
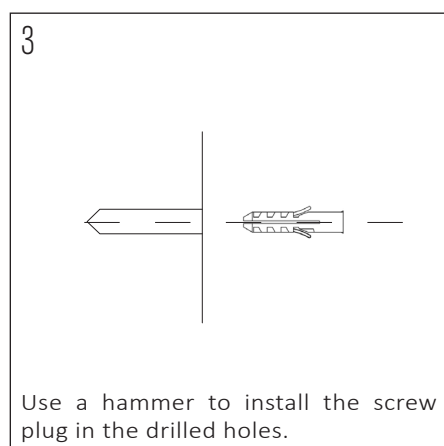
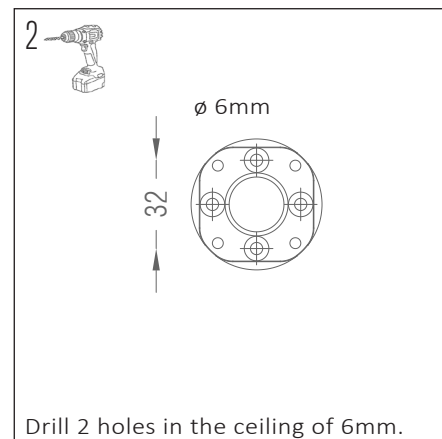
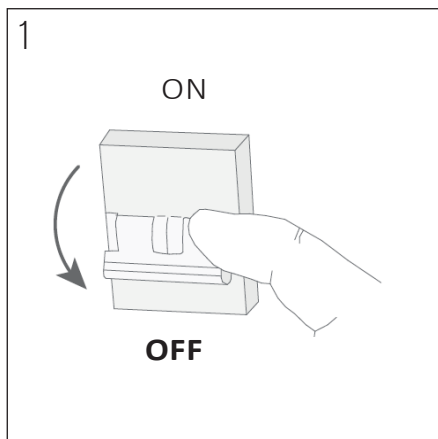
## INSTALLATION GUIDE

These instructions are made for your safety. Please read them entirely before starting with the installation of the appliance.

This product may only be installed by an authorised electrical installer.

Make sure there are no other cables close by the place of the power cables.

Ensure to switch OFF the fuse before the installation



Be sure the installation is done right before switching ON the fuse.

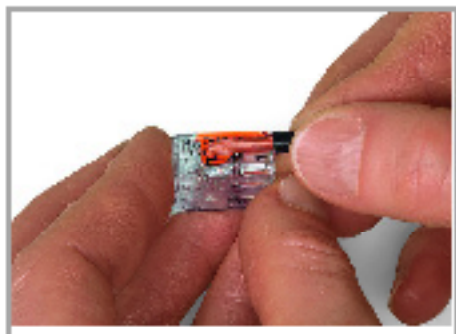
The appliance is ready for use, enjoy the light.

## OTHER IMPORTANT INFORMATION

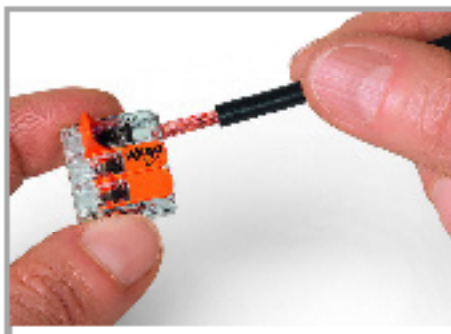
The warranty is invalidated when the device is opened. The lamp in the appliance must only be changed by the manufacturer. Children should be discouraged from playing with the lights. Mount the appliance on dry surfaces, otherwise it may cause discolouration of the finish. Metal finishes should only be cleaned with a soft, dry cloth. Do not use polishes or abrasives. Keep this installation sheet for future uses.

## Gebruiksaanwijzingen

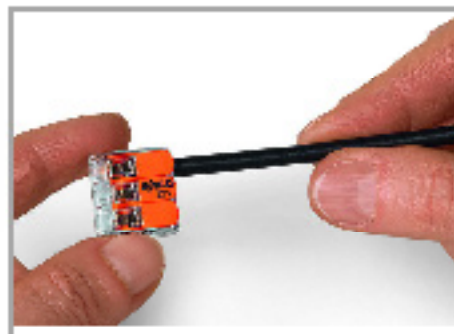
### Conductor termination



Strip conductor to 11 mm (0.43 inch).

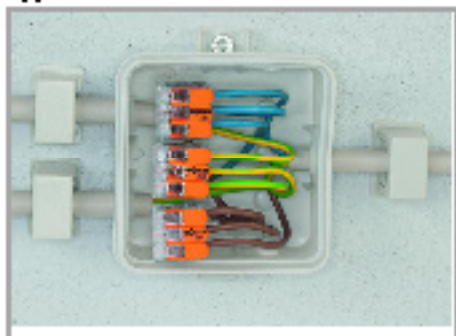


Termination: Lift the lever to open the clamping unit and insert a stripped conductor.



Then, lower the lever to close the clamp.

### Application



Wiring fine-stranded conductors in a junction box.



Custom low-voltage lighting system



Lighting distribution in ceiling canopy



Pendant light connection in suspended ceilings

Wijzigingen voorbehouden. Let ook op de verdere productdocumentatie!

WAGO Belux nv  
Excelsiorlaan 11  
1950 Zaventem  
Telefoon: +32 (0)2 717 90 90 | Fax: +32 (0)2 717 90 99  
E-mail: [info-be@wago.com](mailto:info-be@wago.com) | Web: [www.wago.be](http://www.wago.be)

Hebt u vragen over onze producten?  
U kunt ons telefonisch bereiken op het nr. +32 (0) 2 71 79 090.